

## DIRECT EXTRACTIVE FILTER PROBES

### General Purpose Model 32C

#### Application

The Baldwin<sup>TM</sup>-Series Model 32C Heated Filter Probe is designed to be mounted on a stack or duct for use in low particulate applications. Its primary function is to provide a heated environment to maintain sample gas temperatures above dewpoint and remove particulate material from the gas sample. Model 32C features an external regulated heater jacket, a standard 10 micron sintered stainless steel filter element, an integral calibration gas port on both sides of the filter element, and a NEMA 4 enclosure.



#### General Specifications

Probe	
Calibration	Integral calibration on both sides of filter element
Heater Jacket Temp Control	External regulated (standard)
Connections	1¼" male pipe nipple mount; ½" male pipe thread adapter
Tube Connectors	3/8" sample line, 1/4" calibration gas
Thermocouple	Type K
Heat-shrink Boot	7" length, 2.75" min expanded I.D. nose
O-rings	Viton®
Gaskets	Graphoil®
Dimensions	14 x 12 x 8 in. HWD (w/o Stinger probe) 36 x 30 x 20 cm HWD
Weight	30 lbs 14 kg

#### Operating Specifications

Calibration Gas Requirement	20 psig, 6-10 LPM
Probe Operating Temperature	375°F (190°C)
Input Voltage	110 standard (220 optional) VAC, 50/60 Hz

#### Material Specifications

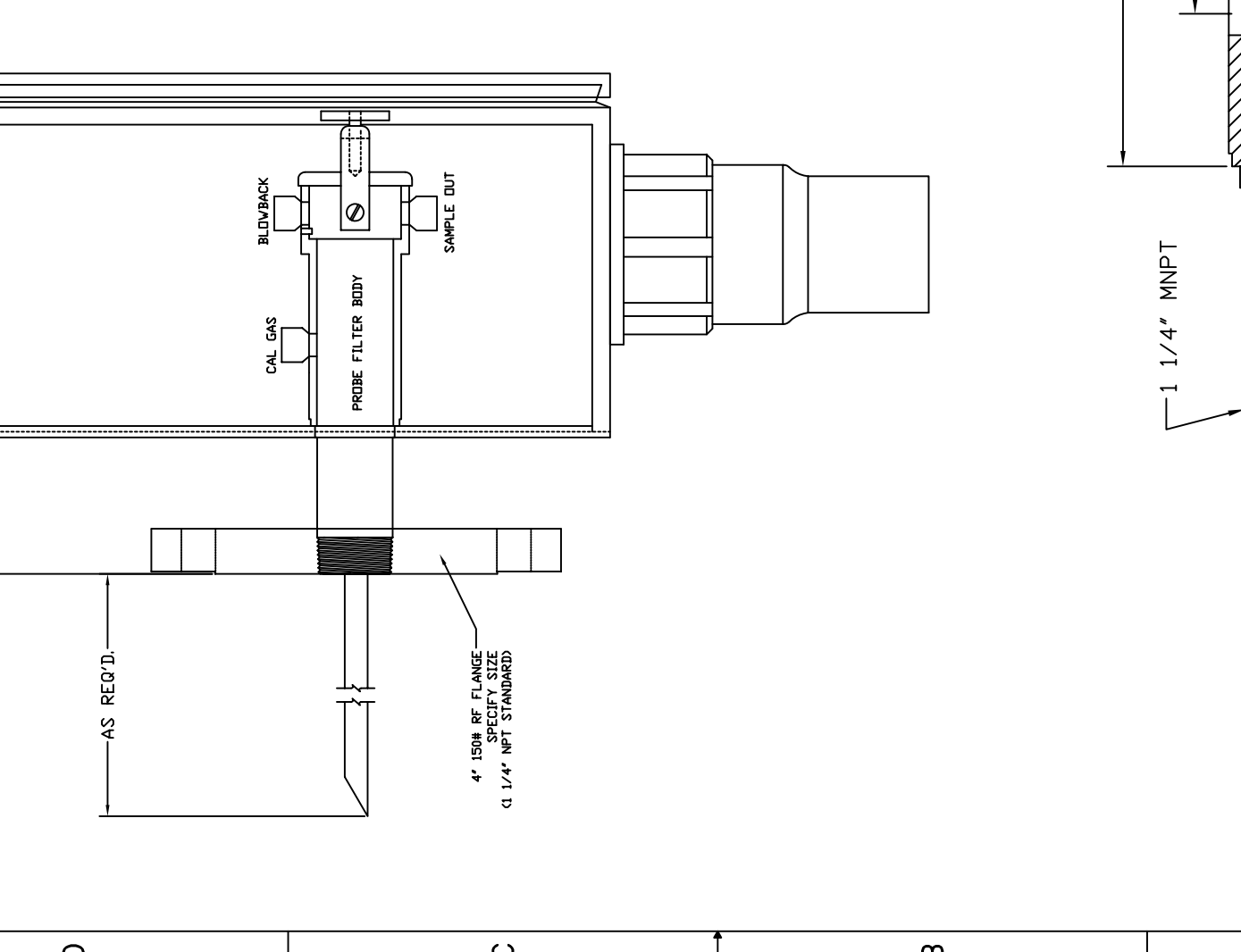
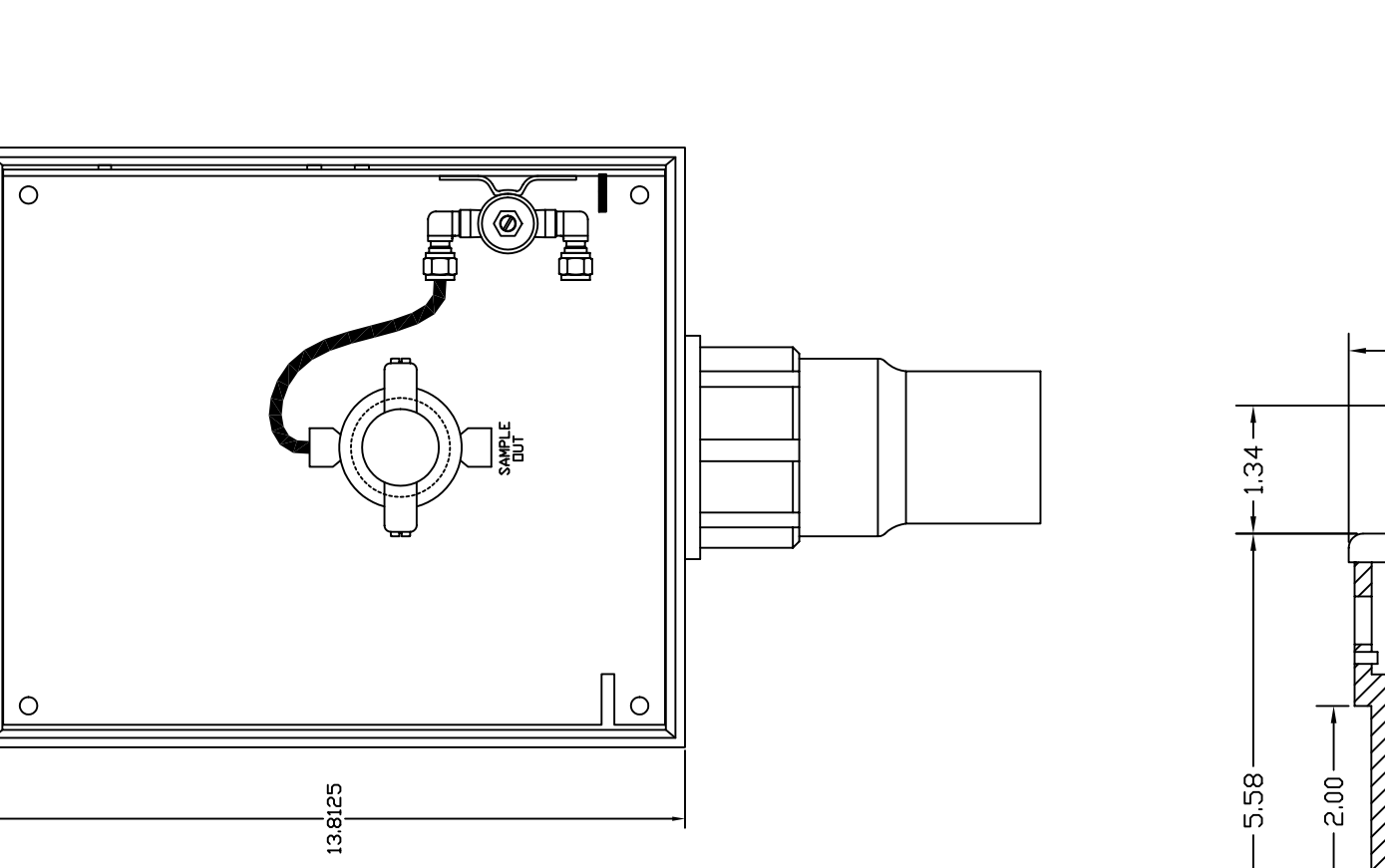
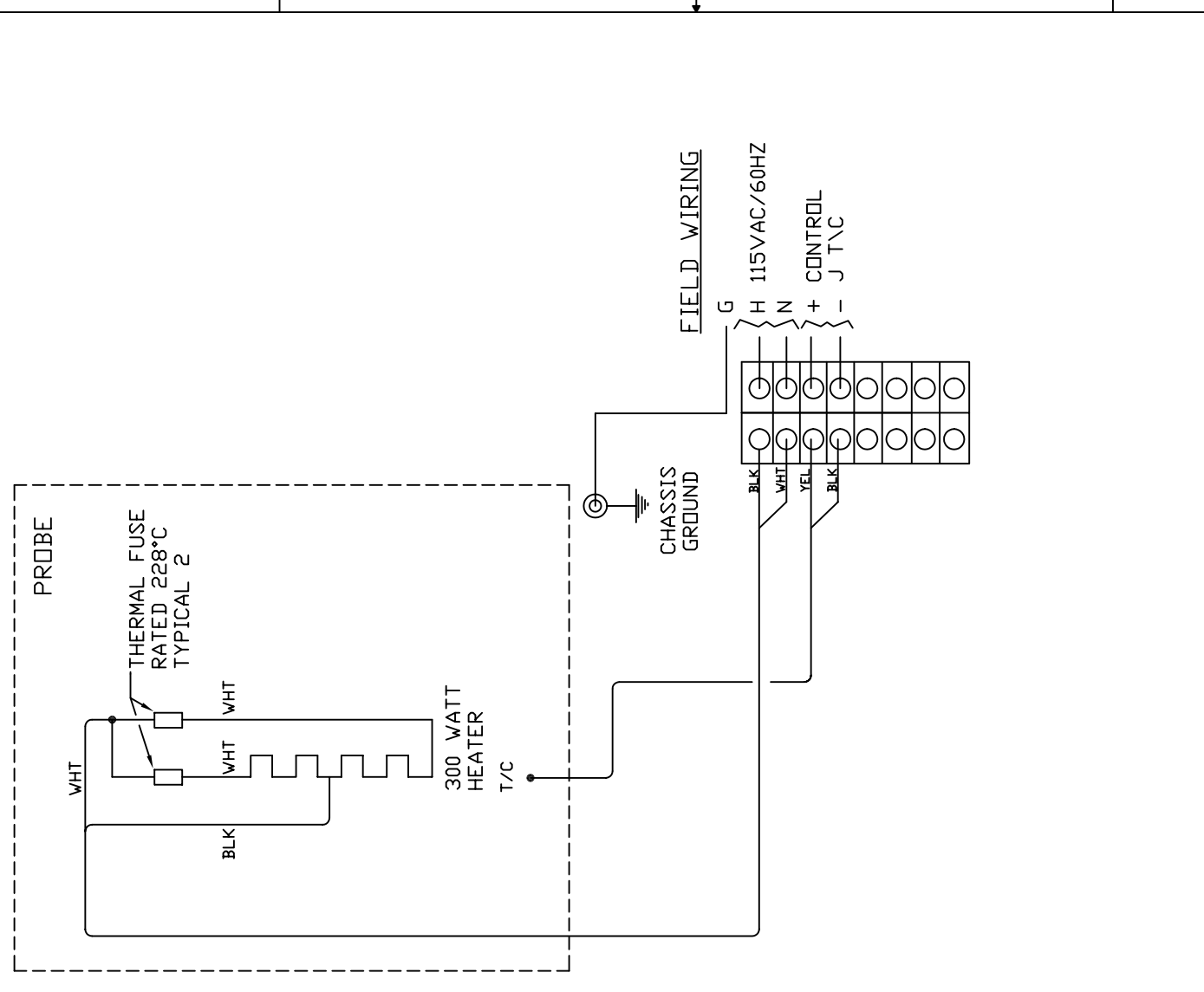
Enclosure Material	NEMA 4 Steel (standard); NEMA 4X Stainless Steel (optional)
Heater Type	Silicone rubber blanket with metal snap closures
Enclosure Insulation Material	½" thick silicone, medium density
Filter Chamber Material	316 stainless steel
Filter Element Types	10 micron sintered SS (standard) 5, 20 micron sintered SS 2 micron ceramic 2 micron SS screen mesh

Baldwin<sup>TM</sup> is a Trademark of Perma Pure LLC  
 Viton® is a Registered Trademark of DuPont  
 Graphoil® is a Registered Trademark of Union Carbide Corporation



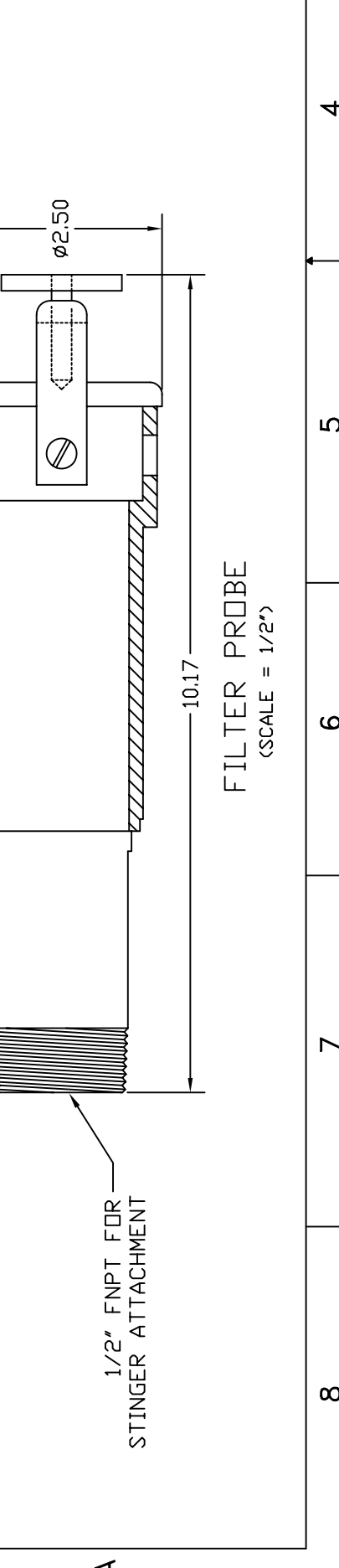
REV#	DATE	DESCRIPTION	DRAWN	APPROVED
0	00/00/00	INITIAL DRAWING	JO	JO
A	03/01/04	CREATED TO TRUE SCALE. NEW TTB	RAW	RAW

ITEM QTY	DESCRIPTION	MANUF.
USED FOR:	MODEL NUMBER:	
DATE:	DESCRIPTION:	
DATE:		
DATE:		



ITEM QTY		DESCRIPTION		MANUF.	
USED FOR:	MODEL NUMBER:				
DATE:	DESCRIPTION:				
DATE:					
DATE:					

PROPRIETARY INFORMATION THIS DOCUMENT CONTAINS INFORMATION PROPRIETARY TO BALDWIN, INC.		BALDWIN, INC.		BALDWIN, INC.	
AND IS TO BE USED SOLELY FOR THE PURPOSE FOR WHICH IT IS FURNISHED. THIS DOCUMENT SHALL NOT BE USED FOR ANY OTHER DESIGN, PROCESS, METHOD, OR MANUFACTURING, IN WHOLE OR IN PART.		BALDWIN, INC.		BALDWIN, INC.	
UNLESS OTHERWISE SPECIFIED: TOLERANCE DECIMALS 1 PLACE = ±.02 2 PLACE = ±.01 3 PLACE = ±.005		ANGLES = ±5° HOLES = ±.002-.001		PART DESCRIPTION	
TOLERANCE DECIMALS		ANGLES = ±5°		MODEL 32C SAMPLE PROBE	
1 PLACE = ±.02		HOLES = ±.002-.001		ARRANGEMENT DRAWING	
2 PLACE = ±.01				SIZE SCALE:	
3 PLACE = ±.005				B NTS	
				DRAWING/PART NO.	
				MODEL 32C	
				CAD DIR: S:\SMD\DWGS\HEATED FILTER PROBES	
				SHEET 1 OF 1	



1/2" FNPT FOR STINGER ATTACHMENT

1 1/4" MNPT

10.17

5.58

2.00

1.34

Ø2.50

FILTER PROBE  
(SCALE = 1/2")