

THERMO-ELECTRIC COOLERS

Classic Model M425

Perma Pure's Baldwin™ Classic Series Model M425 features a unique slim design leaving additional space to install or access other sample conditioning system components. The M425 is a great choice for moderate flow rate single stream or dual stream applications.

Physical Description

Single (Series) / Dual (Parallel) Channel System
 2 x 5" Heat Exchangers connected in series or parallel
 2 Active (cooled to 4°C) Heat Exchangers
 LCD temperature display

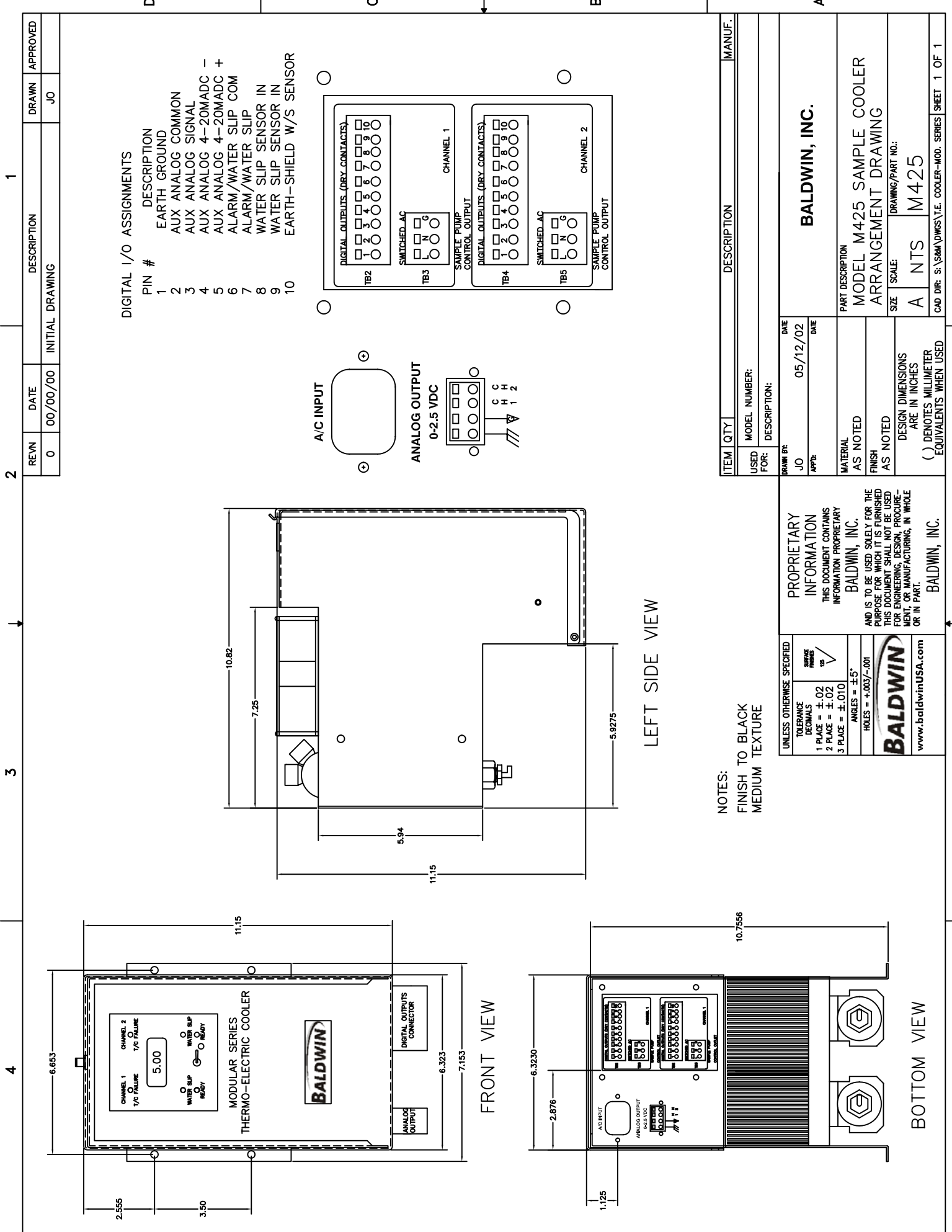


Operating Specifications

Sample Gas Flow Range	3-5 LPM 6.5-10.8 SCFH
Inlet Dew Point at Rated Flow	140°F @ 20% H ₂ O, 5 LPM 60°C
Dimensions	11.20 x 7.25 x 11.20 in. HWD 28.5 x 18.4 x 28.5 cm
Weight	17 lbs 7.7 kg
Maximum Inlet Sample Temperature	392°F (200°C) SS, Glass Impingers 280°F (138°C) Kynar® Impinger
Maximum Inlet Pressure	45 psig 3 bar / 2250 mmHg
Maximum Heat Exchanger Pressure Drop	<+1 in. H ₂ O
Ambient Temperature Range	33-104°F 0.56-40°C
Outlet Sample Gas Dew Point	41°F 5°C
Inlet Tubing Connection	3/8 in. FNPT
Outlet Tubing Connection	1/4 in. FNPT
Drain Tubing Connection	3/8 in. FNPT
Voltage	110 (220 optional) VAC 50/60 Hz
Thermoelectric Elements	40 mm
Power Supply	250W
Cooling Down Time	Less than 3 minutes

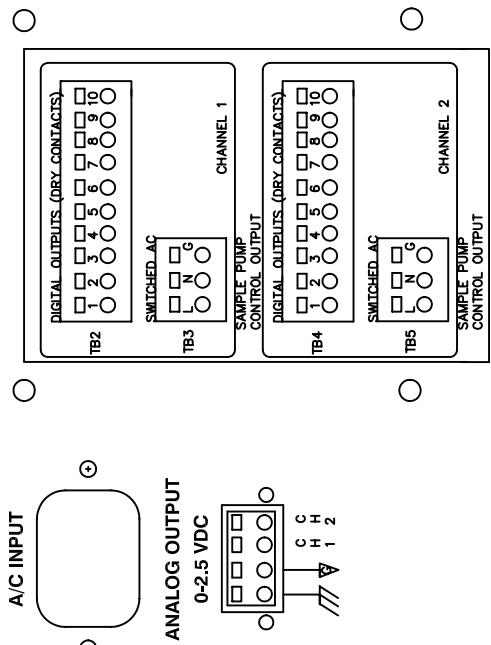
Baldwin™ is a Trademark of Perma Pure LLC
 Kynar® is a Registered Trademark of Alf Autochem of North America





DIGITAL I/O ASSIGNMENTS

PIN #	DESCRIPTION
1	EARTH GROUND
2	AUX ANALOG COMMON
3	AUX ANALOG SIGNAL
4	AUX ANALOG 4-20MADC -
5	AUX ANALOG 4-20MADC +
6	ALARM/WATER SLIP COM
7	ALARM/WATER SLIP
8	WATER SLIP SENSOR IN
9	WATER SLIP SENSOR IN
10	EARTH-SHIELD W/S SENSOR



ITEM	QTY	DESCRIPTION	MANUF.
USED FOR:		MODEL NUMBER:	
DATE:		DESCRIPTION:	
DRAWN BY:		DATE:	
JO:		DATE:	
APPR:			
MATERIAL:		AS NOTED	
FINISH:		AS NOTED	
DESIGN DIMENSIONS ARE IN INCHES			
() DENOTES MILLIMETER EQUIVALENTS WHEN USED			
PART DESCRIPTION		BALDWIN, INC.	
MODEL M425 SAMPLE COOLER ARRANGEMENT DRAWING			
SIZE	SCALE:	DRAWING/PART NO.:	
A	NTS	M425	
CAD DIR: S:\S&M\DWGS\T.E. COOLER-MOD. SERIES			

NOTES:
 FINISH TO BLACK
 MEDIUM TEXTURE

UNLESS OTHERWISE SPECIFIED
 TOLERANCE DECIMALS
 1 PLACE = ±.02
 2 PLACE = ±.02
 3 PLACE = ±.010
 ANGLES = ±5°
 HOLES = +.003/- .001

BALDWIN
 www.baldwinUSA.com

PROPRIETARY INFORMATION
 THIS DOCUMENT CONTAINS INFORMATION PROPRIETARY TO BALDWIN, INC.
 AND IS TO BE USED SOLELY FOR THE PURPOSE FOR WHICH IT IS FURNISHED FOR ENGINEERING, DESIGN, PROCUREMENT, OR MANUFACTURING, IN WHOLE OR IN PART.
 BALDWIN, INC.

REV#	DATE	DESCRIPTION	DRAWN	APPROVED
0	00/00/00	INITIAL DRAWING	JO	

1

2

3

4

1

2

3

4