

DIRECT EXTRACTIVE FILTER PROBES

Class 1 Division 1, Model 33XP

Application

The BaldwinTM-Series Model 33XP Class I Division 1 Heated Filter Probe is designed to be mounted on a stack or duct in low particulate applications. Its primary function is to provide a heated environment to maintain sample gas temperatures above dewpoint and remove particulate material from the gas sample. The Model 33XP features a standard 10 micron sintered stainless steel filter element, a self regulated heater jacket, an integral calibration gas port on both sides of the filter element, and a UL[®] Classified Class I, Division 1 Groups B, C & D enclosure.



General Specifications

Probe	
Calibration	Integral calibration on both sides of filter element
Heater Jacket	External regulated
Connections	1 1/4" male pipe nipple mount; 1/2" male pipe thread adapter
Connectors	1/4" cal gas, 1/4" sample line, 1/4" compressed air
Thermocouple	Type K
O-rings	Viton [®]
Gaskets	Graphoil [®]
Dimensions	7.5 x 7.5 x 10.6 in. HWD (w/o Stinger probe) 19 x 19 x 27 cm HWD
Weight	30 lbs 14 kg

Operating Specifications

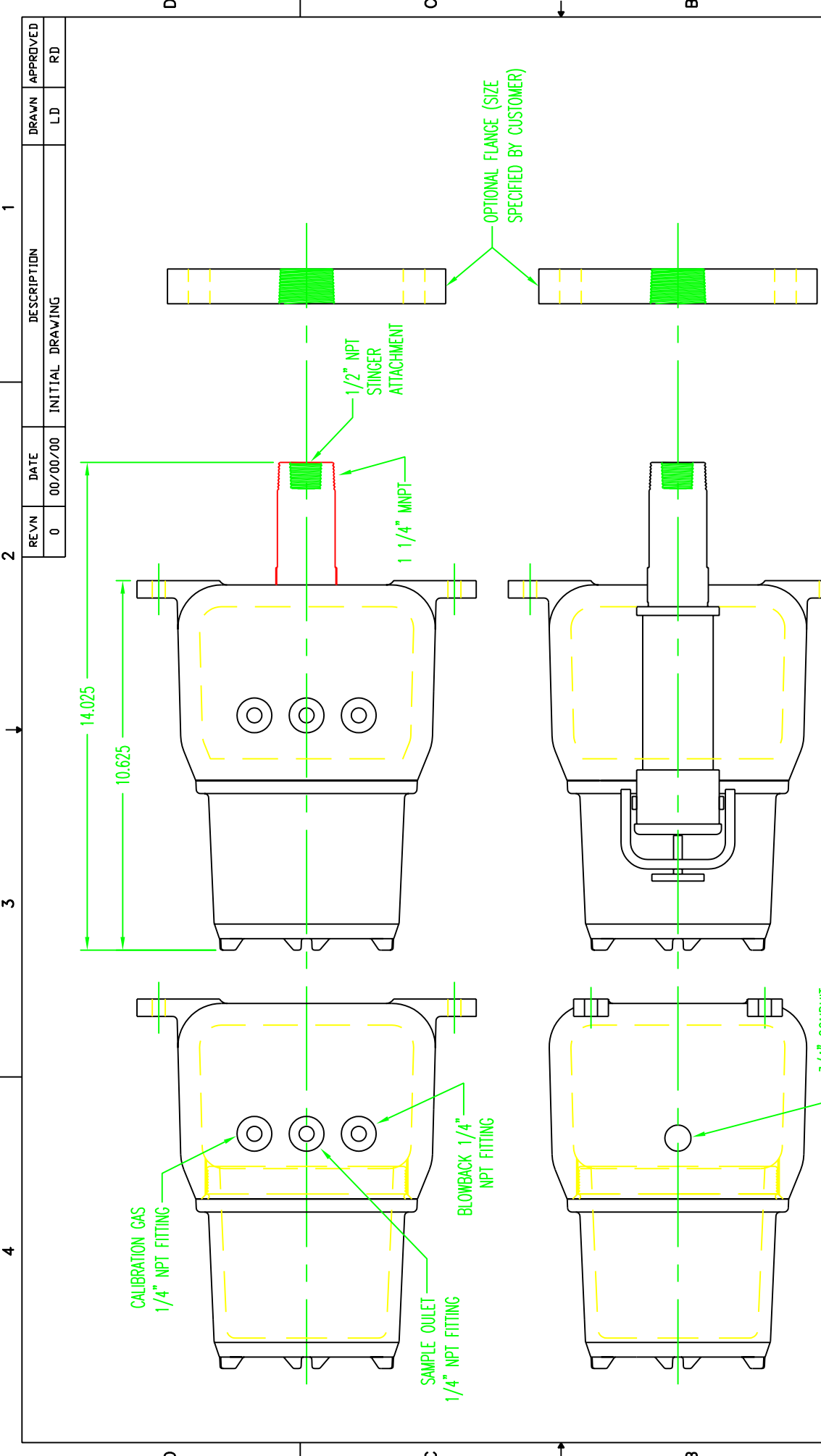
Calibration Gas	20 psig, 6-10 LPM
Probe Operating Temp	375°F (190°C)
Input Voltage	110 (220 optional) VAC, 50/60 Hz

Material Specifications

Enclosure Material	UL [®] Classified Class I Division 1 Groups B, C & D Aluminum
Heater Type	Silicone rubber blanket with snap closures, 100W
Heater Insulation	1/4" thick silicone, medium density
Filter Chamber	316 stainless steel
Filter Element	10 micron sintered SS (standard) 5, 20 micron sintered SS 2 micron ceramic 2 micron SS screen mesh

BaldwinTM is a Trademark of Perma Pure LLC
 Viton[®] is a Registered Trademark of DuPont
 Graphoil[®] is a Registered Trademark of Union Carbide Corporation





REV/N	DATE	DESCRIPTION	DRAWN	APPROVED
0	00/00/00	INITIAL DRAWING	LD	RD

ITEM QTY	DESCRIPTION	MANUF.
USED FOR:	MODEL NUMBER:	
DATE:	DATE:	
RAW DATE:	DATE:	
MATERIAL:	PART DESCRIPTION:	
FINISH:	CLASS 1 DIVISION 1	
DESIGN DIMENSIONS ARE IN INCHES	HEATED FILTER PROBE	
() DENOTES MILLIMETER EQUIVALENTS WHEN USED	SCALE:	
	A 1/1	
	DRAWING/PART NO.:	
	MODEL 33/34XP	
	CAD DIR: S:\DRAW	
	SHEET 1 OF 1	

UNLESS OTHERWISE SPECIFIED

TOLERANCE DECIMALS	ANGLE FINISH
1 PLACE = ±.02	AS
2 PLACE = ±.02	
3 PLACE = ±.010	

ANGLES = ± 5°
HOLES = +.002/- .001

BALDWIN
www.baldwinUSA.com

PROPRIETARY INFORMATION
THIS DOCUMENT CONTAINS INFORMATION PROPRIETARY TO BALDWIN, INC.
AND IS TO BE USED SOLELY FOR THE PURPOSE FOR WHICH IT IS FURNISHED. THIS DOCUMENT SHALL NOT BE USED FOR ENGINEERING, DESIGN, PROCUREMENT, OR MANUFACTURING, IN WHOLE OR IN PART.
BALDWIN, INC.

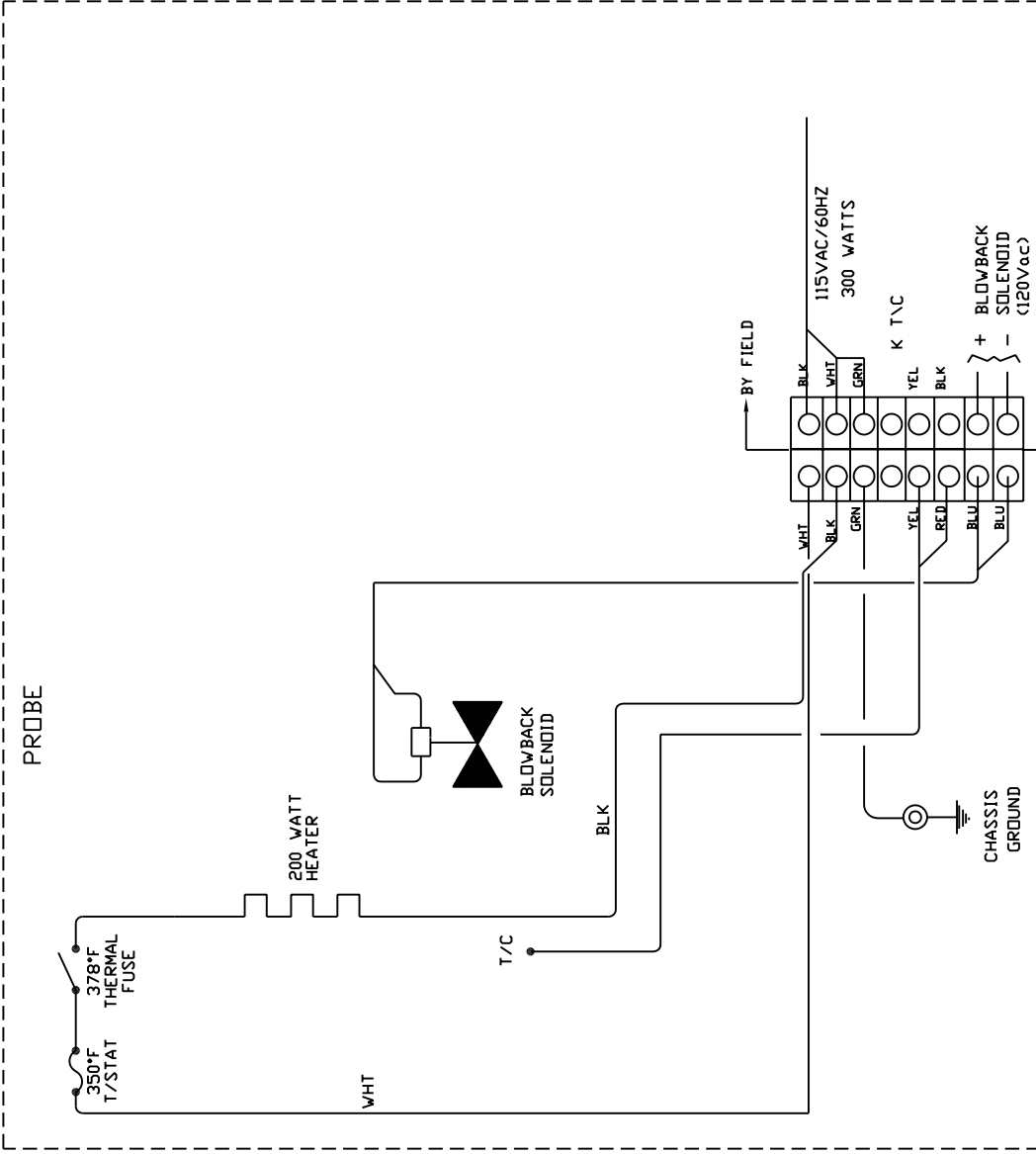
1

2

3

4

REV#	DATE	DESCRIPTION	DRAWN	APPROVED
0	00/00/00	INITIAL DRAWING	RAW	RAW



PROBE

200 WATT HEATER

WHT

T/C

BLK

BY FIELD

WHT BLK GRN YEL RED BLU BLU

BY FIELD

115VAC/60HZ 300 WATTS

K T/C

BLK } + BLOWBACK SOLENOID (120VAC) -

BY FIELD

CHASSIS GROUND

ITEM	QTY	DESCRIPTION	MANUF.
USED FOR:		MODEL NUMBER: MODEL 34	
DRAWN BY:	DATE		
RAW	05/12/03		
APP'D	DATE		
MATERIAL			
FINISH			
DESIGN DIMENSIONS ARE IN INCHES	SIZE SCALE:	A NTS	DRAWING/PART NO:
() DENOTES MILLIMETER EQUIVALENTS WHEN USED			3PHS-200 ELECT.
			CAD DIR: S:\DRAW
			SHEET 1 OF 1

UNLESS OTHERWISE SPECIFIED

TOLERANCE DECIMALS
 1 PLACE = ±.02
 2 PLACE = ±.02
 3 PLACE = ±.010

ANGLES = ±5°
 HOLES = +.003/-001

BALDWIN
 www.baldwinUSA.com

PROPRIETARY INFORMATION
 THIS DOCUMENT CONTAINS INFORMATION PROPRIETARY TO BALDWIN, INC.
 AND IS TO BE USED SOLELY FOR THE PURPOSE FOR WHICH IT IS FURNISHED FOR ENGINEERING, DESIGN, PROCUREMENT, OR MANUFACTURING, IN WHOLE OR IN PART.
 BALDWIN, INC.

BALDWIN, INC.

PART DESCRIPTION
 XP PROBE WIRING SCHEMATIC

SIZE SCALE:
 A NTS

DRAWING/PART NO:
 3PHS-200 ELECT.

CAD DIR: S:\DRAW

SHEET 1 OF 1