

DIRECT EXTRACTIVE FILTER PROBES

Class I Division 2 Models 34C-Z & 34C-R-Z

BALDWINTM - Series

Application

The BaldwinTM-Series Models 34C-Z and 34C-R-Z Heated Filter Probe is designed to be mounted on a stack or duct for use in high particulate Class I Division 2 Groups B, C & D applications. Its primary function is to provide a heated environment to maintain sample gas temperatures above dewpoint and remove particulate material from the gas sample. Models 34C-Z and 34C-R-Z features a standard 10 micron sintered stainless steel filter element, an external (Model 34C-Z) or self (Model 34C-R-Z) regulated heater jacket, an integral calibration gas port on both sides of the filter element, a NEMA 4 steel enclosure, and a single direct blowback system to clean the filter element.



General Specifications

Area Classification	Class I Division 2, Groups B, C & D
Probe	
Calibration	Integral calibration on both sides of filter element
Heater Jacket Temp Control	External regulated (Model 34C-Z) Self regulated (Model 34C-R-Z)
Connections	1¼" male pipe nipple mount; ½" male pipe thread adapter
Tube Connectors	3/8" sample line, 1/4" calibration gas, 3/8" blowback
Thermocouple	Type K
Blowback	Single direct; 2-way solenoid blowback / calibration valve
Blowback Tank	16 ga. SS, 4" x 8", leak checked, pressure tested
Heat-shrink Boot	7" length, 2.75" min expanded I.D. nose
O-rings	Viton®
Gaskets	Graphoil®
Dimensions	14 x 20 x 8 in. HWD (w/o Stinger probe) 36 x 51 x 20 cm HWD
Weight	40 lbs 18 kg

Operating Specifications

Calibration Gas Requirement	20 psig, 6-10 LPM
Probe Operating Temperature	375°F (190°C)
Blowback Duration	5 sec standard (30 sec maximum)
Blowback Valve	110 standard (220 optional) VAC, 50/60 Hz
Blowback Flowrate	14 scfh
Instrument Air for Blowback	Min 50 psig, Max 90 psig

Material Specifications

Enclosure Material	NEMA 4 Steel (standard); NEMA 4X Stainless Steel (optional)
Heater Type	Heater bands, 350W (standard on external temp regulated) Silicone rubber blanket w/ metal snap closures, 100W (standard on self regulated)
Enclosure Insulation Material	½" thick silicone, medium density
Filter Chamber Material	316 stainless steel
Filter Element Types	10 micron sintered SS (standard) 5, 20 micron sintered SS 2 micron ceramic 2 micron SS screen mesh



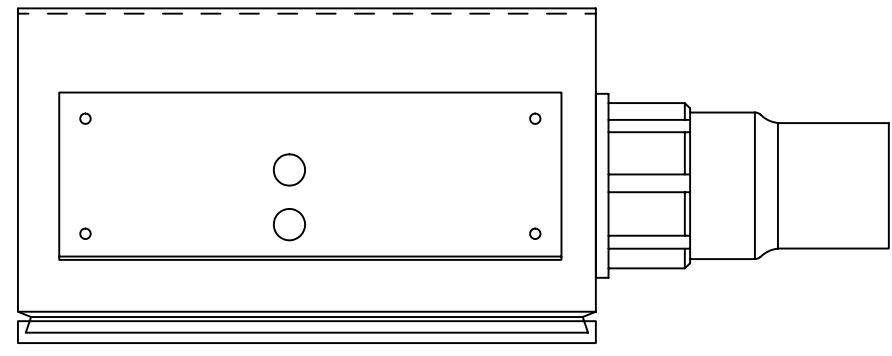
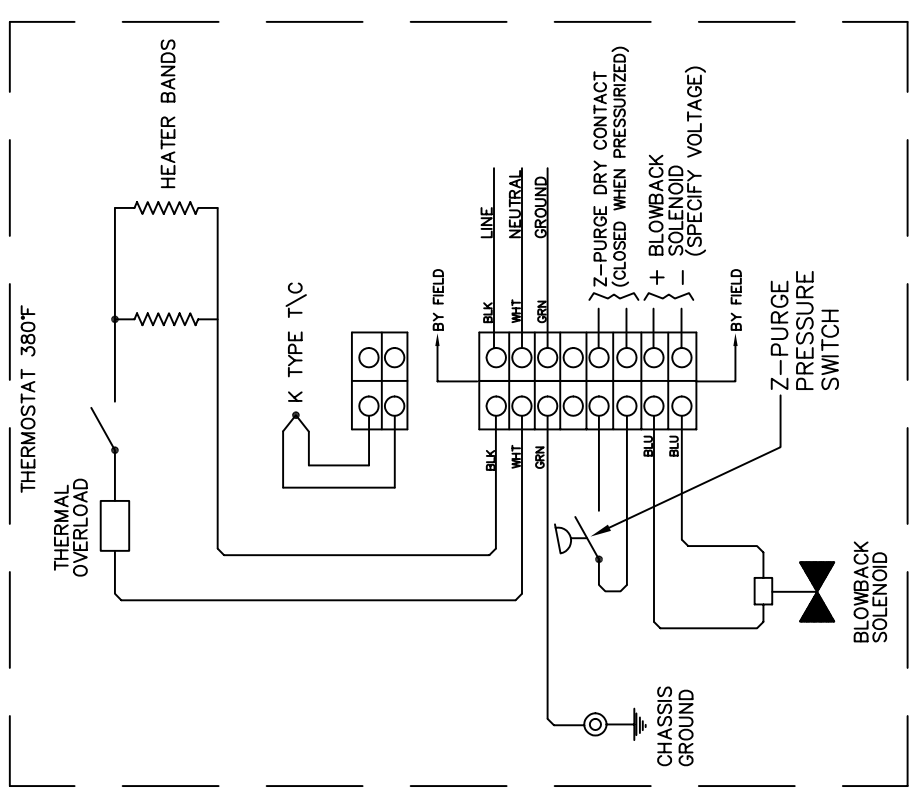
Perma Pure LLC
P.O. Box 2105, 8 Executive Drive
Toms River, NJ 08754
www.permapure.com

Tel: 732-244-0010
Tel: 800-337-3762 (toll free US)
Fax: 732-244-8140
Email: info@permature.com

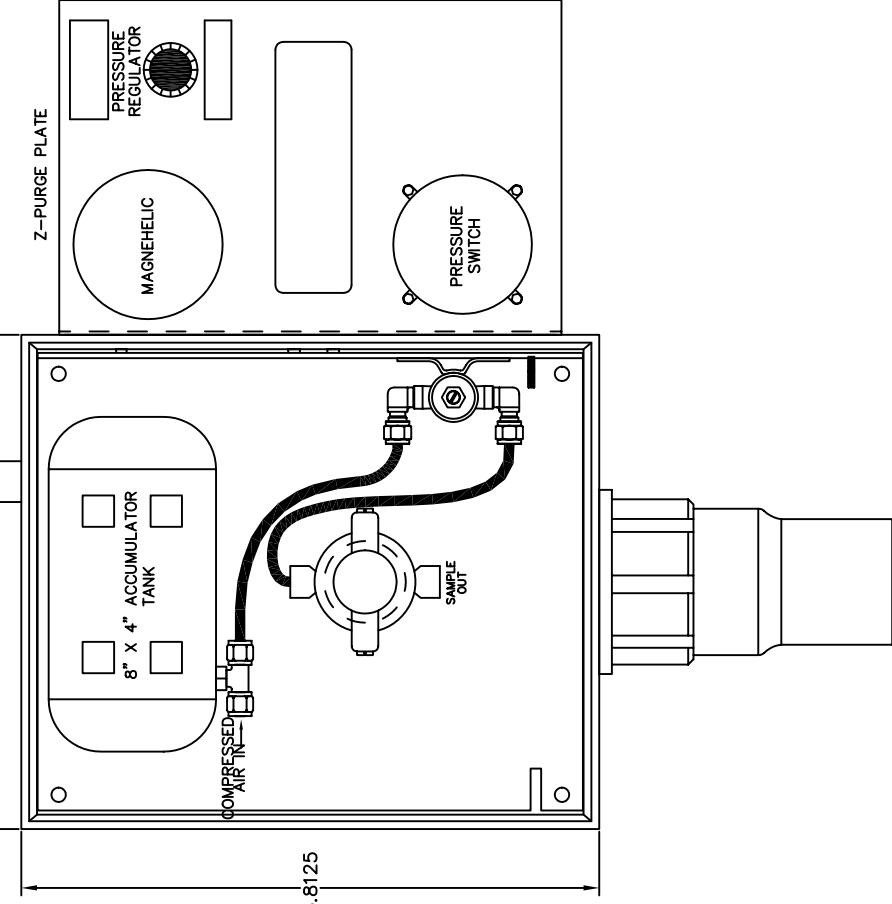
v4.11

REV#	DATE	DESCRIPTION	DRAWN	APPROVED
0	00/00/00	INITIAL DRAWING	RAW	RAW

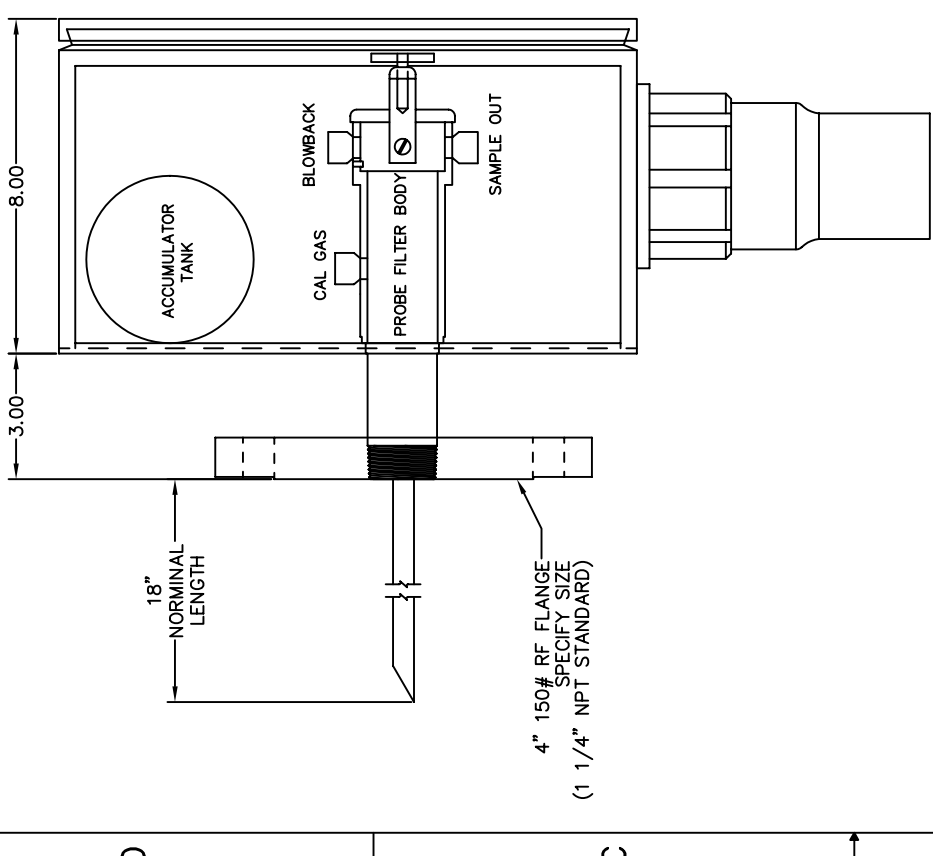
1	2	3	4	5	6	7	8
---	---	---	---	---	---	---	---



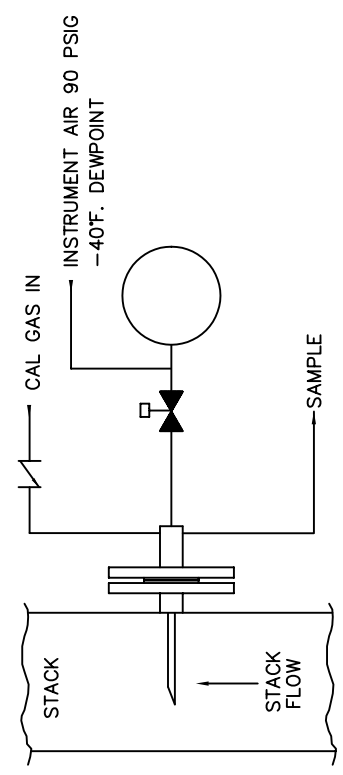
RIGHT SIDE VIEW



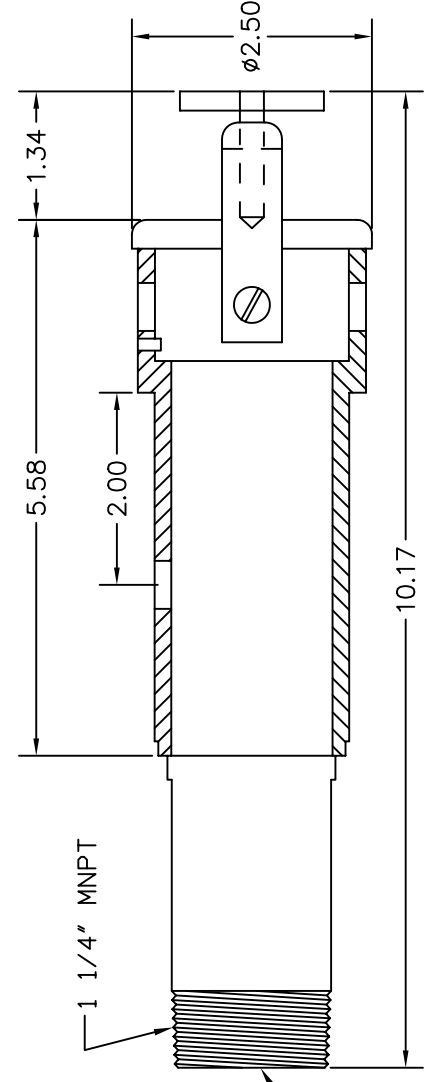
FRONT VIEW



LEFT SIDE VIEW



BLWBK/FLOOD CALIB.



FILTER PROBE
(SCALE = 1/2")

1/2" FNPT FOR STINGER ATTACHMENT

UNLESS OTHERWISE SPECIFIED

TOLERANCE	DECIMALS
1 PLACE = ±.02	
2 PLACE = ±.02	
3 PLACE = ±.010	
ANGLES = ±5°	
HOLES = +.003/- .001	

PROPRIETARY INFORMATION
THIS DOCUMENT CONTAINS INFORMATION PROPRIETARY TO BALDWIN, INC.
AND IS TO BE USED SOLELY FOR THE PURPOSE FOR WHICH IT IS FURNISHED. THIS DOCUMENT, SPECIFICATIONS, DRAWINGS, PARTS LIST, OR MANUFACTURING, IN WHOLE OR IN PART, IS THE PROPERTY OF BALDWIN, INC.

www.baldwinUSA.com

ITEM	QTY	DESCRIPTION	MANUF.
MODEL NUMBER: _____			
FOR DESCRIPTION: _____			
DATE	DATE		
10/08/04			
PART DESCRIPTION		BALDWIN, INC.	
MATERIAL		MODEL 34C-R HEATED FILTER PROBE ARRANGEMENT DRAWING	
FINISH		SIZE	DRAWING/PART NO.
		B NTS	34C-R-Z
DESIGN DIMENSIONS ARE IN INCHES			
() DENOTES MILLIMETER EQUIVALENTS WHEN USED			
CAD DIR: S\			SHEET 1 OF 1

1	2	3	4	5	6	7	8
---	---	---	---	---	---	---	---