

DIRECT EXTRACTIVE FILTER PROBES

Class 1 Division 1, Model 34XP

Application

The BaldwinTM-Series Model 34XP Class I Division 1 Heated Filter Probe is designed to be mounted on a stack or duct. Its primary function is to provide a heated environment to maintain sample gas temperatures above dewpoint and remove particulate material from the gas sample. The Model 34XP features an externally mounted blowback canister, a standard 10 micron sintered stainless steel filter element, a self regulated heater jacket, an integral calibration gas port on both sides of the filter element, and a UL[®] Classified Class I Division 1 enclosure.



General Specifications

Probe	
Calibration	Integral calibration on both sides of filter element
Heater Jacket	Self-regulated
Blowback	Single direct; 2-way solenoid blowback / calibration valve
Blowback Tank	16 ga. SS, 4" x 8", leak checked, pressure tested
Connections	1 1/4" male pipe nipple mount; 1/2" male pipe thread adapter
Connectors	1/4" cal gas, 1/4" sample line, 1/4" compressed air
Thermocouple	Type K
O-rings	Viton [®]
Gaskets	Graphoil [®]
Dimensions	7.5 x 7.5 x 10.6 in. HWD (w/o Stinger probe) 19 x 19 x 27 cm HWD
Weight	33 lbs 15 kg

Operating Specifications

Calibration Gas	20 psig, 6-10 LPM
Probe Operating Temp	375°F (190°C)
Input Voltage	110 (220 optional) VAC, 50/60 Hz

Material Specifications

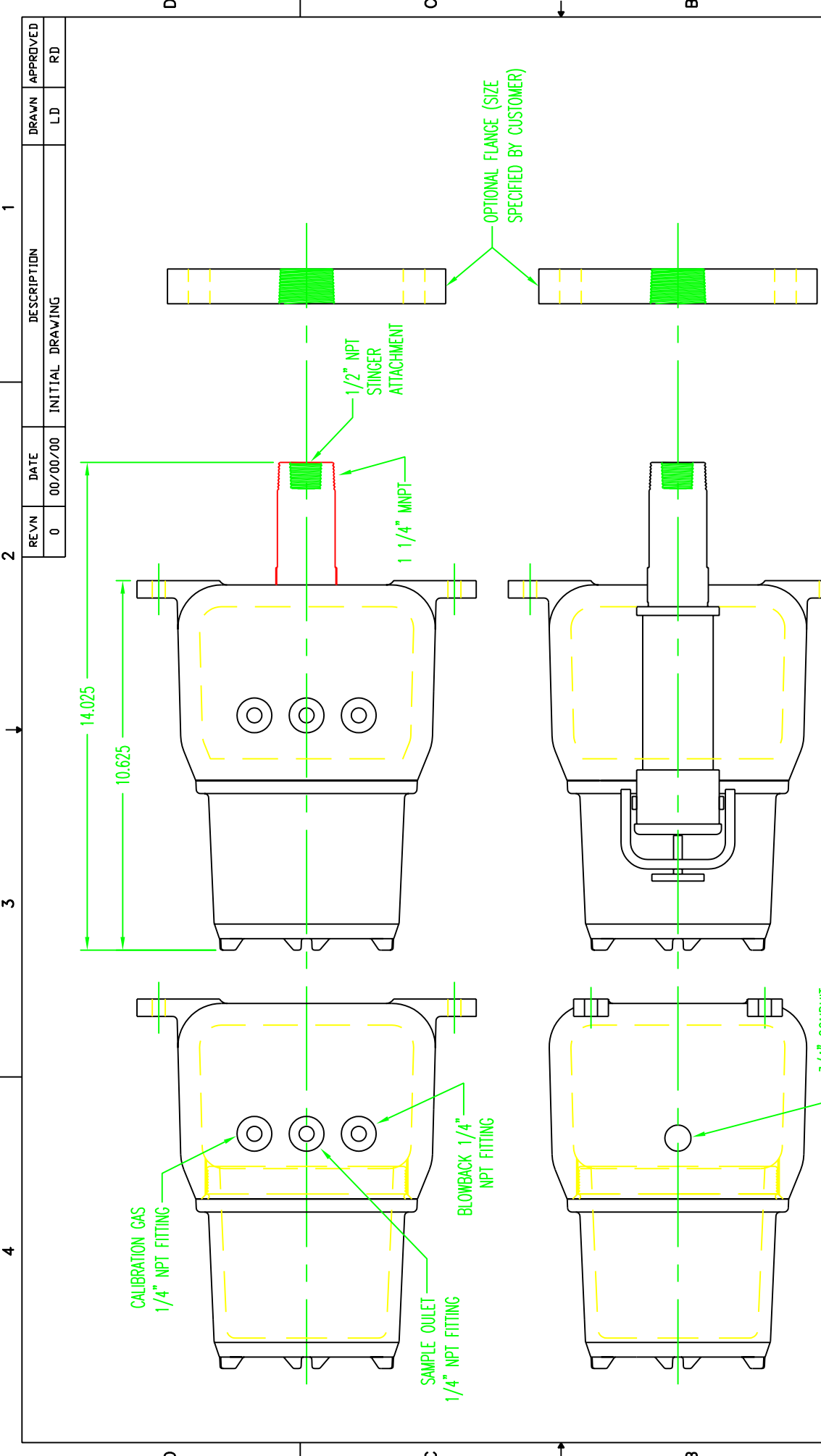
Enclosure Material	UL [®] Classified Class I Division 1 Groups B, C & D Aluminum
Heater Type	Silicone rubber blanket with snap closures, 100W
Heater Insulation	1/4" thick silicone, medium density
Filter Chamber	316 stainless steel
Filter Element	10 micron sintered SS (standard) 5, 20 micron sintered SS 2 micron ceramic 2 micron SS screen mesh

BaldwinTM is a Trademark of Perma Pure LLC

Viton[®] is a Registered Trademark of DuPont

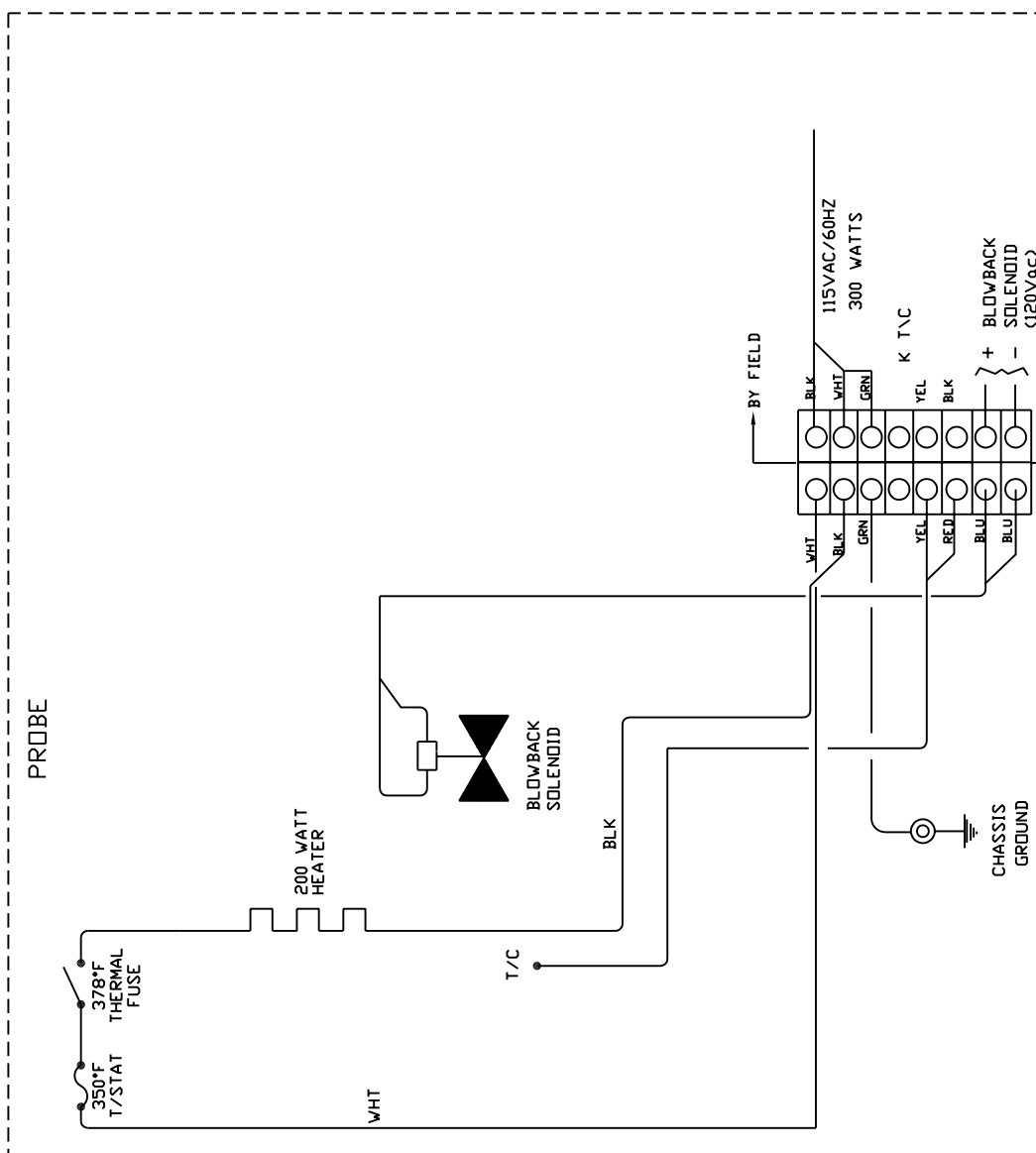
Graphoil[®] is a Registered Trademark of Union Carbide Corporation





REV#N		DATE	DESCRIPTION		DRAWN	APPROVED
0		00/00/00	INITIAL DRAWING		LD	RD
ITEM QTY		DESCRIPTION		MANUF.		
USED FOR:		MODEL NUMBER:				
DRAWN BY:		DATE:				
APP'D:		DATE:				
MATERIAL:		PART DESCRIPTION:		BALDWIN, INC.		
FINISH:		CLASS 1 DIVISION 1		HEATED FILTER PROBE		
DESIGN DIMENSIONS ARE IN INCHES		SCALE:		DRAWING/PART NO.:		
() DENOTES MILLIMETER EQUIVALENTS WHEN USED		A 1/1		MODEL 33/34XP		
UNLESS OTHERWISE SPECIFIED		TOLERANCE DECIMALS		SHEET 1 OF 1		
1 PLACE = ±.02		2 PLACE = ±.02		CAD DIR: S:\DRAW		
3 PLACE = ±.010		ANGLES = ± 5°				
HOLES = +.002/- .001		FINISH				
 www.baldwinUSA.com		PROPRIETARY INFORMATION THIS DOCUMENT CONTAINS INFORMATION PROPRIETARY TO BALDWIN, INC. AND IS TO BE USED SOLELY FOR THE PURPOSE FOR WHICH IT IS FURNISHED. THIS DOCUMENT SHALL NOT BE USED FOR ENGINEERING, DESIGN, PROCUREMENT, OR MANUFACTURING, IN WHOLE OR IN PART.				

REVN	DATE	DESCRIPTION	DRAWN	APPROVED
0	00/00/00	INITIAL DRAWING	RAW	RAW



ITEM	QTY	DESCRIPTION	MANUF.
USED FOR:	MODEL NUMBER:	MODEL 34	
DRAWN BY:	DATE	05/12/03	
APP'D:	DATE		
MATERIAL:	BALDWIN, INC.		
FINISH:	XP PROBE WIRING SCHEMATIC		
DESIGN DIMENSIONS ARE IN INCHES	SIZE SCALE:	A NTS	DRAWING/PART NO: 3PHS-200 ELECT.
() DENOTES MILLIMETER EQUIVALENTS WHEN USED	CAD DIR:	S:\DRAW	SHEET 1 OF 1

UNLESS OTHERWISE SPECIFIED	TOLERANCE DECIMALS	1 PLACE = ±.02
	2 PLACE = ±.02	
	3 PLACE = ±.010	
	ANGLES = ±5°	
	HOLES = +.003/-001	
 www.baldwinUSA.com		

PROPRIETARY INFORMATION	DATE
THIS DOCUMENT CONTAINS PROPRIETARY INFORMATION	05/12/03
BALDWIN, INC.	
AND IS TO BE USED SOLELY FOR THE PURPOSE FOR WHICH IT IS FURNISHED	
THIS DOCUMENT SHALL NOT BE USED FOR ENGINEERING, DESIGN, PROCUREMENT, OR MANUFACTURING, IN WHOLE OR IN PART.	
BALDWIN, INC.	