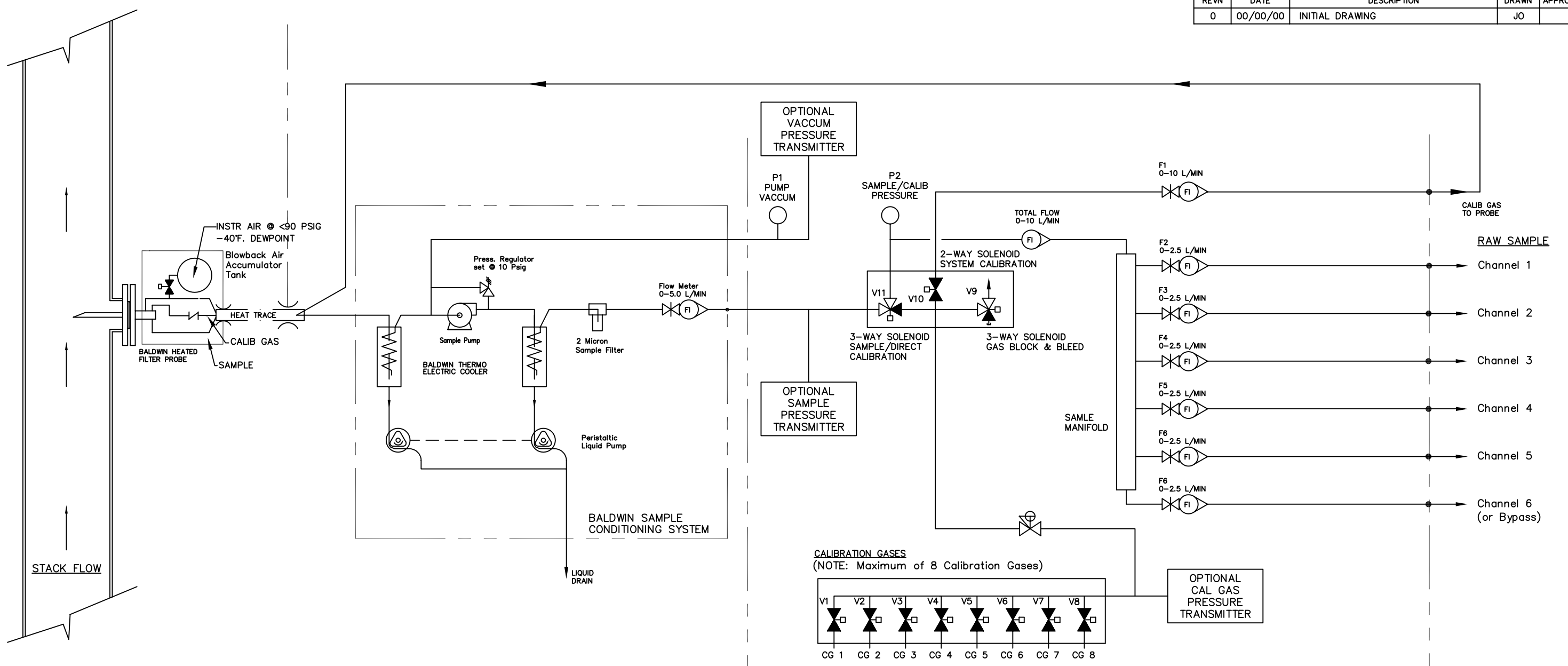
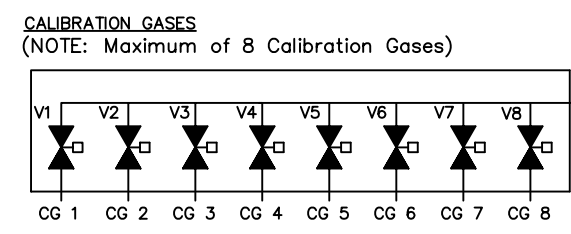
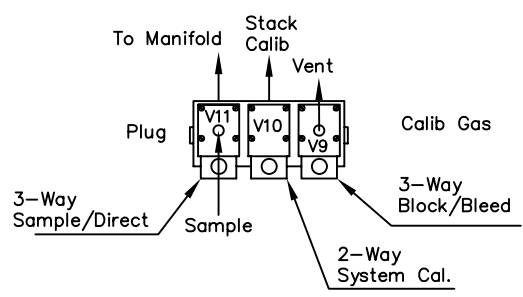


REV#	DATE	DESCRIPTION	DRAWN	APPROVED
0	00/00/00	INITIAL DRAWING	JO	



- NOTES:**
- STANDARD MODEL 3300 HAS 2 GAS ANALYZER CHANNELS AND 2 CALIBRATION GAS CHANNELS.



UNLESS OTHERWISE SPECIFIED	
TOLERANCE DECIMALS	SURFACE FINISH
1 PLACE = ±.02	125
2 PLACE = ±.02	150
3 PLACE = ±.010	160
ANGLES = ±5°	
HOLES = +.003/-0.001	
www.baldwinUSA.com	

PROPRIETARY INFORMATION
 THIS DOCUMENT CONTAINS INFORMATION PROPRIETARY TO **BALDWIN, INC.**
 AND IS TO BE USED SOLELY FOR THE PURPOSE FOR WHICH IT IS FURNISHED FOR ENGINEERING, DESIGN, PROCUREMENT, OR MANUFACTURING, IN WHOLE OR IN PART.
BALDWIN, INC.

ITEM	QTY	DESCRIPTION	MANUF.
MODEL NUMBER:			
DESCRIPTION: MODEL 3300 FLOW CONTROL DRAWER			
DRAWN BY:	DATE:	BALDWIN, INC.	
JO	06/19/02		
MATERIAL:	DATE:	PART DESCRIPTION	
FINISH:		MODEL 3300 FLOW DIAGRAM	
DESIGN DIMENSIONS ARE IN INCHES		SIZE:	SCALE:
() DENOTES MILLIMETER EQUIVALENTS WHEN USED		B	NTS
DRAWING/PART NO.:		3300 FLOW	
CAD DIR: S:\S&M\DWGS\FLOW CONTROL DRAWER		SHEET 1 OF 1	